



TRANSPORTATION CABINET

Frankfort, Kentucky 40622
www.transportation.ky.gov/

Steven L. Beshear
Governor

Michael W. Hancock, P.E.
Secretary

July 3, 2013

CALL NO. 104
CONTRACT ID NO. 131042
Addendum # 1

Subject: McCracken County, STP 0601 (175)
Letting July 12, 2013

- (1) Revised - Plan sheets - R2, R2B, R2C
- (2) Revised - Bid Items - Pages 107-108 of 108
- (3) DELETE - Special Note 10T - Pages 70-73 of 108

Proposal revisions are available at
<http://transportation.ky.gov/Construction-Procurement>

Plan Revisions are available at: <http://www.lynnimaging.com/kytransportation/>

If you have any questions, please contact us at (502) 564-3500.

Sincerely,

A handwritten signature in blue ink that reads "Ryan Griffith".

Ryan Griffith
Director
Division of Construction Procurement

RG:jj

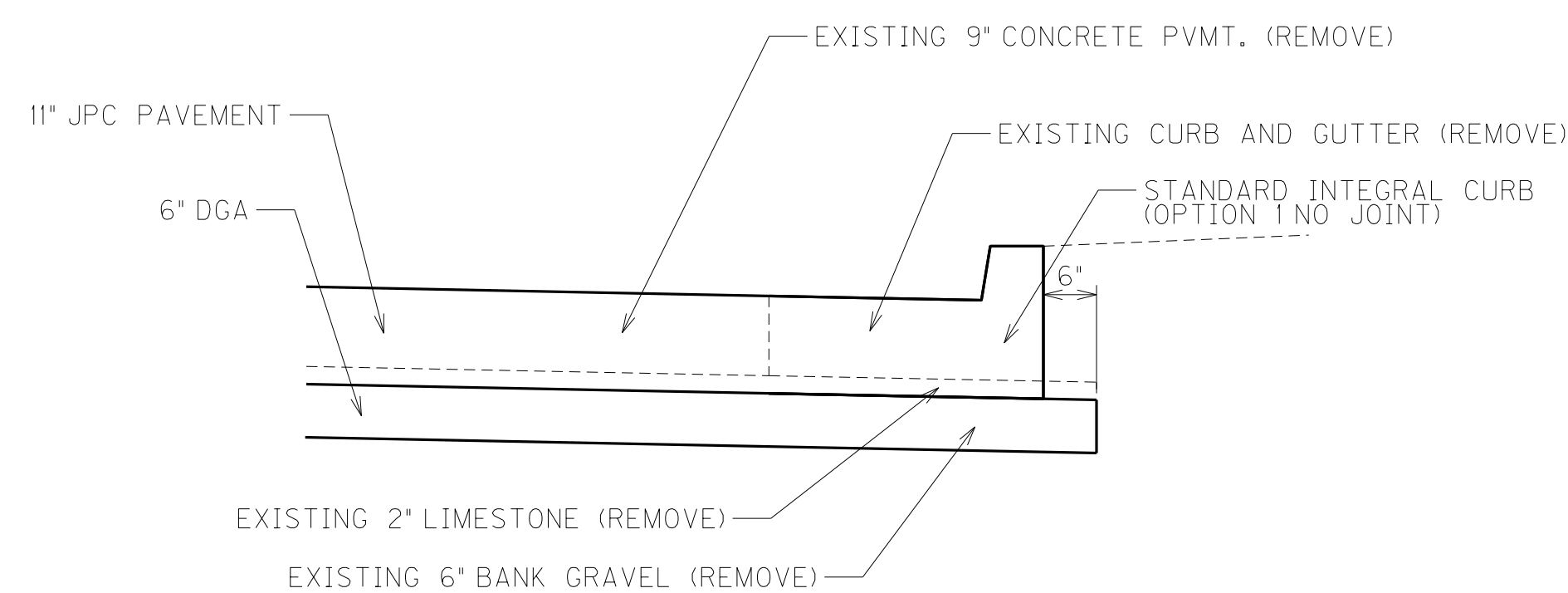
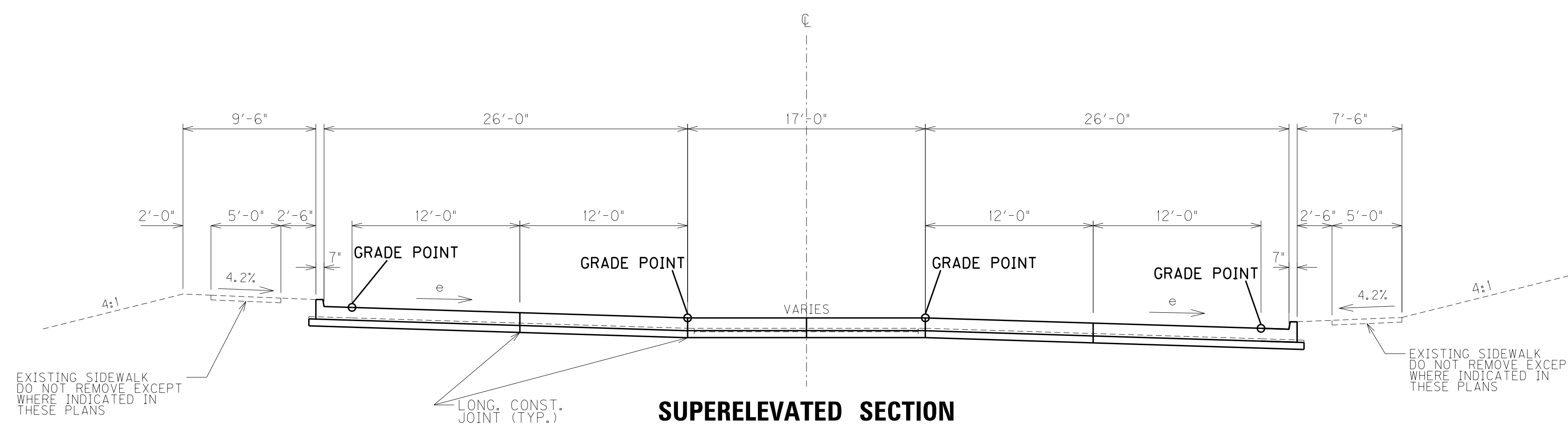
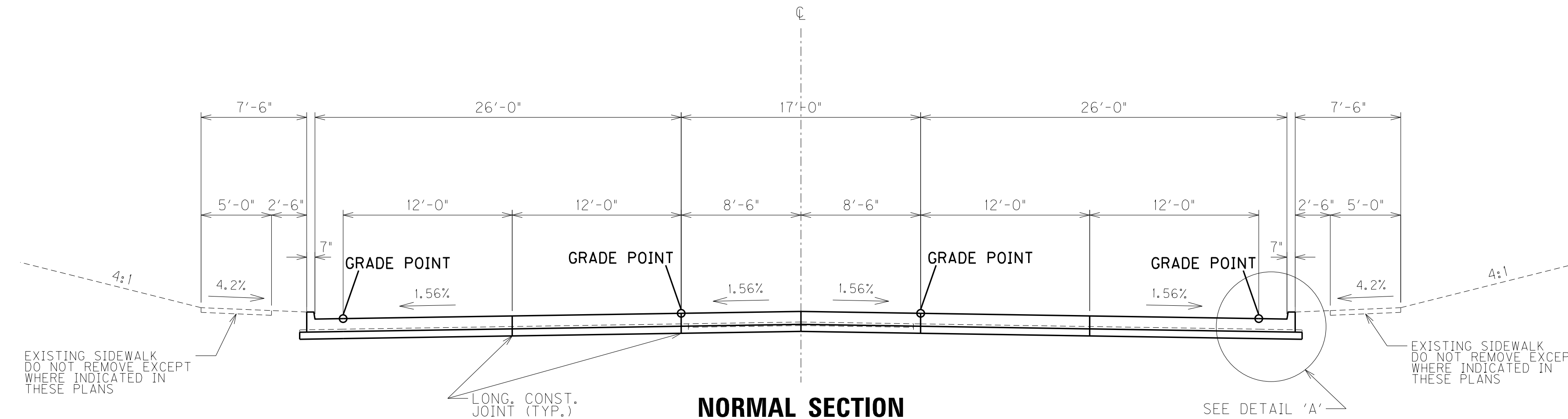
Enclosures



An Equal Opportunity Employer M/F/D

TYPICAL SECTIONS US 60 – IRVIN COBB DRIVE

STA. 508 + 39 TO STA. 539 + 59



FILE NAME: V:\1785\ACTIVE\178562012\TRANSPORTATION\DESIGN\DRAWING\PLAN SHEETS\TYPICAL_SECTION.DGN

USER: b\vanchock
DATE PLOTTED: July 1, 2013

E-SHEET NAME:

MicroStation v8.11.7.443

NOT TO SCALE

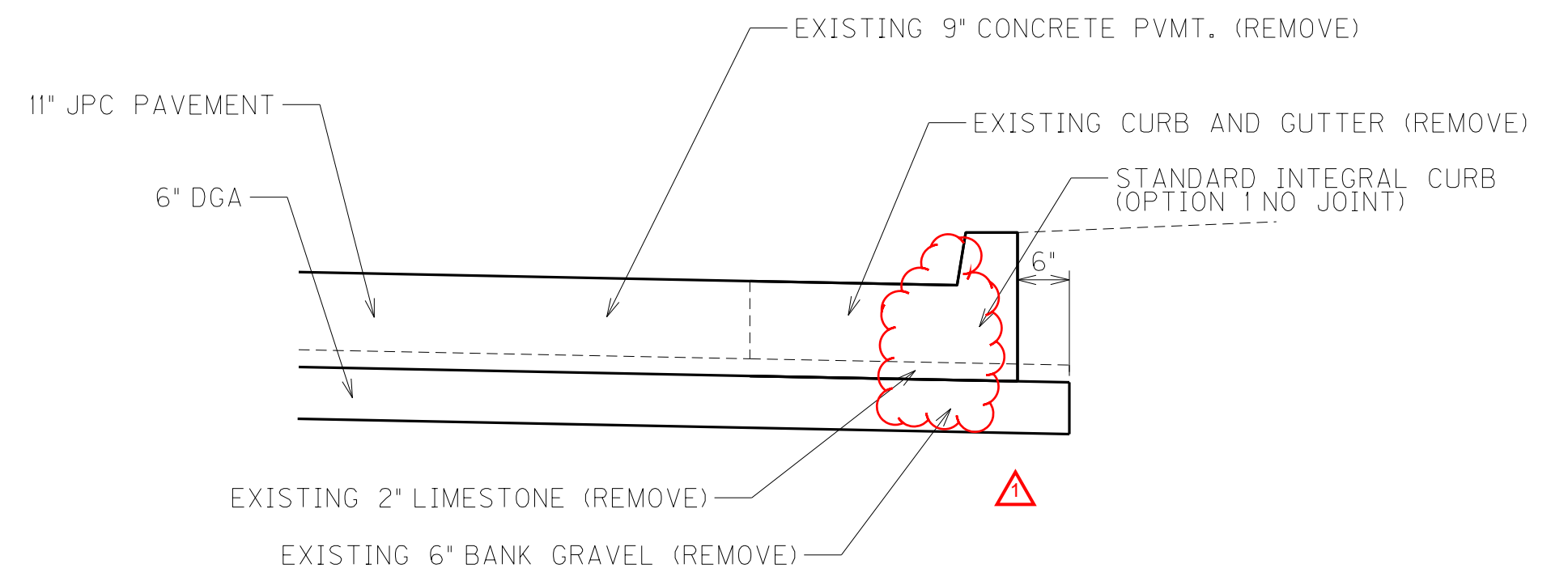
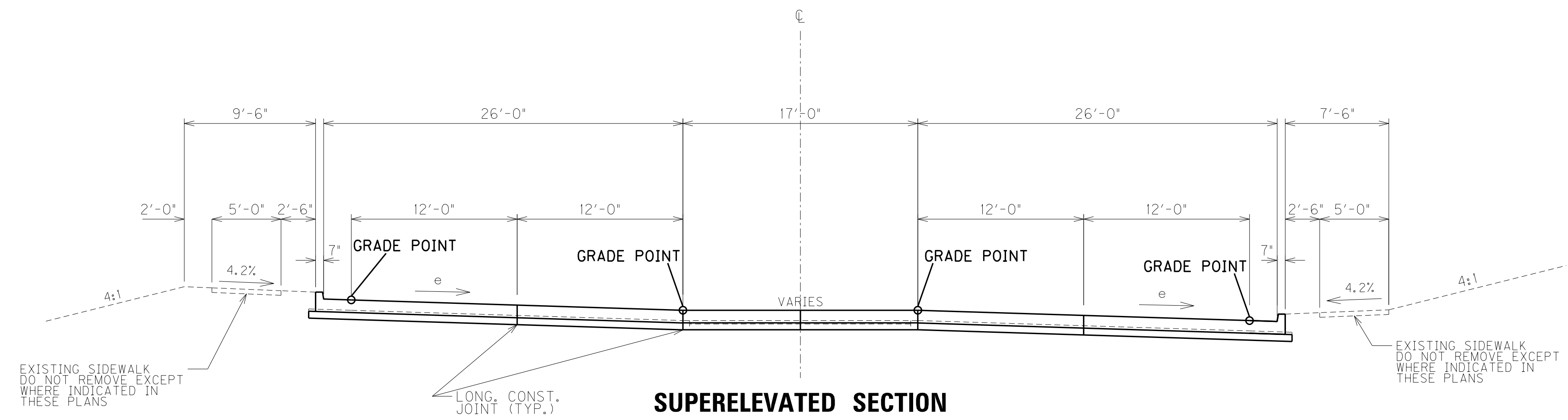
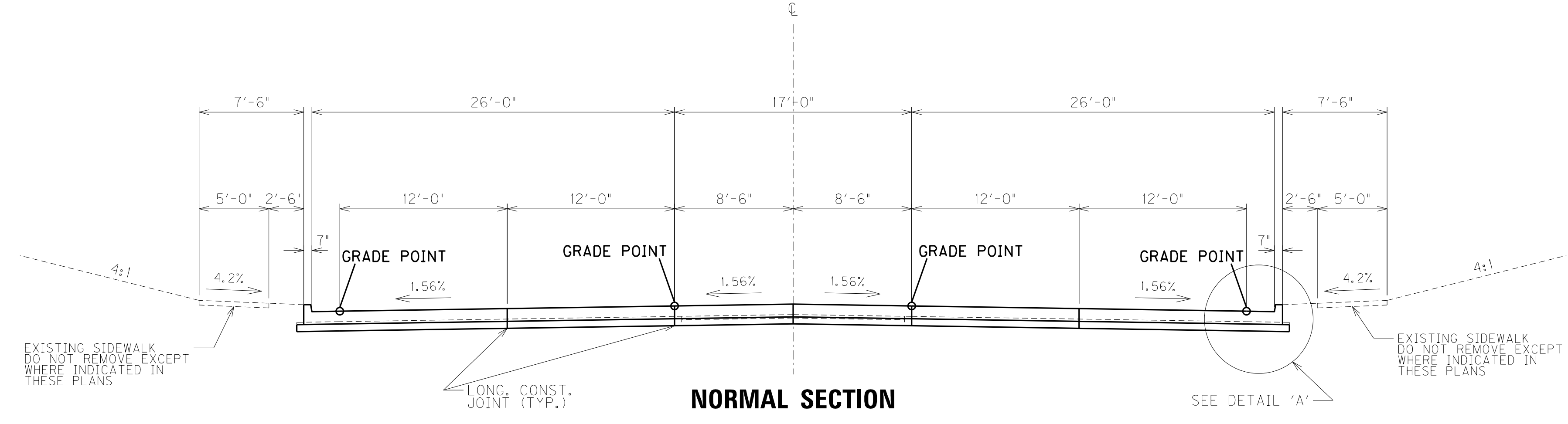
TYPICAL SECTIONS

COUNTY OF	ITEM NO.	SHEET NO.
MCCRACKEN	1-2025.00	R2

△ REVISED 7-2-13

TYPICAL SECTIONS US 60 – IRVIN COBB DRIVE

STA. 508 + 39 TO STA. 539 + 59



DETAIL 'A'

FILE NAME: V:\1785\ACTIVE\178562012\TRANSPORTATION\DESIGN\DRAWING\PLAN SHEETS\TYPICAL SECTION.DGN
 USER: b\vanchock
 DATE PLOTTED: July 1, 2013
 E-SHEET NAME:
 MicroStation v8.11.7.443

NOT TO SCALE

TYPICAL SECTIONS

GENERAL SUMMARY

ITEM NO.	ITEM		UNIT	US 60 PROJECT TOTALS
00005	GEOGRID REINFORCEMENT FOR SUBGRADE	②	SQ YD	500
01812	REMOVE CURB AND GUTTER		LF	5,617
01982	DELINEATOR FOR GUARDRAIL - WHITE		EACH	5
02014	BARRICADE - TYPE III		EACH	62
02058	REMOVE PCC PAVEMENT	⑦	SQ YD	44,311
02200	ROADWAY EXCAVATION		CU YD	15,238
02237	DITCHING		LF	1,800
02351	STEEL "W" BEAM GUARDRAIL- SINGLE FACE		LF	325
02360	TERMINAL SECTION NO. 1		EACH	2
02381	REMOVE GUARDRAIL	⑥	LF	325
02562	SIGNS	①	SQ FT	559
02568	MOBILIZATION		LS	1
02569	DEMOBILIZATION		LS	1
02599	FABRIC - GEOTEXTILE TYPE IV	②	SQ YD	500
02650	MAINTAIN & CONTROL TRAFFIC		LS	1
02671	PORTABLE CHANGEABLE MESSAGE SIGN	①	EACH	4
02720	SIDEWALK - 4 IN. CONCRETE	③	SQ YD	495
02775	ARROW PANEL	①	EACH	4
03287	SIDEWALK RAMP TYPE 1		EACH	24
05985	SEEDING AND PROTECTION	②	SQ YD	3,762
06510	PAVE STRIPING - TEMP PAINT - 4 IN		LF	19,011
06514	PAVE STRIPING - PERM PAINT - 4 IN W	⑤	LF	16,784
06514	PAVE STRIPING - PERM PAINT - 4 IN Y	⑤	LF	14,185
06516	PAVE STRIPING - PERM PAINT - 8 IN W	⑤	LF	272
06550	PAVE STRIPING - TEMP REM TAPE - W		LF	7,200
06551	PAVE STRIPING - TEMP REM TAPE - Y		LF	12,504
06565	PAVE MARKING - THERMO X-WALK - 6 IN	⑤	LF	1,058
06568	PAVE MARKING - THERMO STOP BAR - 24 IN	⑤	LF	344
06574	PAVE MARKING - THERMO CURV ARROW	⑤	EACH	59
06576	PAVE MARKING - THERMO ONLY	⑤	EACH	2
06589	PAVEMENT MARKER TYPE V - M W		EACH	265
06591	PAVEMENT MARKER TYPE V - B Y		EACH	269
10020NS	FUEL ADJUSTMENT		DOLLAR	19,061
20099ES842	PAVE MARK TEMP PAINT STOP BAR		LF	96
20100ES842	PAVE MARK TEMP PAINT LINE ARROW		EACH	8
22664EN	WATER BLAST EXISTING STRIPE		LF	19,223
23131ER701	PIPELINE VIDEO INSPECTION	④	LF	5,034
23143ED	KPDES PERMIT AND TEMP EROSION CONTROL		LS	1
23158ES505	DETECTABLE WARNINGS		SQ FT	192
23252ES717	PAVE MARK TY 1 TAPE STOP BAR - 12 IN		LF	108
23269ES717	PAVE MARK TY 1 TAPE - COMBO ARROW		EACH	4
23270ES717	PAVE MARK TY 1 TAPE - CURV ARROW		EACH	9

NOTES

- ① THE QUANTITY FOR THESE ITEMS INCLUDES INITIAL PLACEMENT. ANY RELOCATION REQUIRED WILL NOT BE PAID FOR DIRECTLY BUT WILL BE CONSIDERED INCIDENTAL TO MAINTAIN AND CONTROL TRAFFIC.
- ② TO BE USED AS DIRECTED BY ENGINEER FOR SOFT SPOTS ENCOUNTERED. IN LIEU OF UNDERCUT.
- ③ REMOVAL OF EXISTING SIDEWALK IS INCIDENTAL TO PLACEMENT OF NEW SIDEWALK
- ④ PERFORM VIDEO INSPECTION PRIOR TO ANY DRAINAGE CONSTRUCTION. REPAIR DRAINAGE STRUCTURES AS NEEDED.
- ⑤ CONTRACTOR SHALL ENSURE THAT PAVEMENT IS CLEAN AND FREE OF DEBRIS AND CURING COMPOUND BEFORE PLACING STRIPING
- ⑥ THE CONTRACTOR SHALL DELIVER EXISTING SALVAGED GUARDRAIL SYSTEM MATERIALS TO THE CENTRAL SIGN SHOP AND RECYCLE CENTER ON WILKINSON BLVD. IN FRANKFORT KY. (SEE GENERAL NOTES)
- ⑦ INCLUDES REMOVING EXISTING 9" PCC PAVEMENT. REMOVAL OF THE ADDITIONAL MATERIAL UNDER THE PCC PAVEMENT WILL BE PAID BY CU YD. OF ROADWAY EXCAVATION.

FILE NAME: V:\1785\ACTIVE\178562012\TRANSPORTATION\DESIGN\DRAWING\PLAN SHEETS\GEN SUM.DGN

USER: b\vanchook
DATE PLOTTED: July 2, 2013

E-SHEET NAME:

MicroStation v8.11.7.443

GENERAL SUMMARY

△ REVISED 7-2-13

ITEM NO.	ITEM		UNIT	US 60 PROJECT TOTALS
00005	GEOGRID REINFORCEMENT FOR SUBGRADE	②	SO YD	500
01812	REMOVE CURB AND GUTTER		LF	5,617
01982	DELINEATOR FOR GUARDRAIL - WHITE		EACH	5
02014	BARRICADE - TYPE III		EACH	62
02058	REMOVE PCC PAVEMENT	⑦	SO YD	44,311
02200	ROADWAY EXCAVATION		CU YD	15,238
02237	DITCHING		LF	1,800
02351	STEEL "W" BEAM GUARDRAIL- SINGLE FACE		LF	325
02360	TERMINAL SECTION NO. 1		EACH	2
02381	REMOVE GUARDRAIL	⑥	LF	325
02562	SIGNS	①	SO FT	559
02568	MOBILIZATION		LS	1
02569	DEMOBILIZATION		LS	1
02599	FABRIC - GEOTEXTILE TYPE IV	②	SO YD	500
02650	MAINTAIN & CONTROL TRAFFIC		LS	1
02671	PORTABLE CHANGEABLE MESSAGE SIGN	①	EACH	4
02720	SIDEWALK - 4 IN. CONCRETE	③	SO YD	495
02775	ARROW PANEL	①	EACH	4
03287	SIDEWALK RAMP TYPE 1		EACH	24
05985	SEEDING AND PROTECTION	②	SO YD	3,762
06510	PAVE STRIPING - TEMP PAINT - 4 IN		LF	19,011
06514	PAVE STRIPING - PERM PAINT - 4 IN W	⑤	LF	16,784
06514	PAVE STRIPING - PERM PAINT - 4 IN Y	⑤	LF	14,185
06516	PAVE STRIPING - PERM PAINT - 8 IN W	⑤	LF	272
06550	PAVE STRIPING - TEMP REM TAPE - W		LF	7,200
06551	PAVE STRIPING - TEMP REM TAPE - Y		LF	12,504
06565	PAVE MARKING - THERMO X-WALK - 6 IN	⑤	LF	1,058
06568	PAVE MARKING - THERMO STOP BAR - 24 IN	⑤	LF	344
06574	PAVE MARKING - THERMO CURV ARROW	⑤	EACH	59
06576	PAVE MARKING - THERMO ONLY	⑤	EACH	2
06589	PAVEMENT MARKER TYPE V - M W		EACH	265
06591	PAVEMENT MARKER TYPE V - B Y		EACH	269
10020NS	FUEL ADJUSTMENT		DOLLAR	19,061
20099ES842	PAVE MARK TEMP PAINT STOP BAR		LF	96
20100ES842	PAVE MARK TEMP PAINT LINE ARROW		EACH	8
22664EN	WATER BLAST EXISTING STRIPE		LF	19,223
23131ER701	PIPELINE VIDEO INSPECTION	④	LF	5,034
23143ED	KPDES PERMIT AND TEMP EROSION CONTROL		LS	1
23158ES505	DETECTABLE WARNINGS		SQ FT	192
23252ES717	PAVE MARK TY 1 TAPE STOP BAR - 12 IN		LF	108
23269ES717	PAVE MARK TY 1 TAPE - COMBO ARROW		EACH	4
23270ES717	PAVE MARK TY 1 TAPE - CURV ARROW		EACH	9

NOTES

- ① THE QUANTITY FOR THESE ITEMS INCLUDES INITIAL PLACEMENT. ANY RELOCATION REQUIRED WILL NOT BE PAID FOR DIRECTLY BUT WILL BE CONSIDERED INCIDENTAL TO MAINTAIN AND CONTROL TRAFFIC.
- ② TO BE USED AS DIRECTED BY ENGINEER FOR SOFT SPOTS ENCOUNTERED. IN LIEU OF UNDERCUT.
- ③ REMOVAL OF EXISTING SIDEWALK IS INCIDENTAL TO PLACEMENT OF NEW SIDEWALK
- ④ PERFORM VIDEO INSPECTION PRIOR TO ANY DRAINAGE CONSTRUCTION. REPAIR DRAINAGE STRUCTURES AS NEEDED.
- ⑤ CONTRACTOR SHALL ENSURE THAT PAVEMENT IS CLEAN AND FREE OF DEBRIS AND CURING COMPOUND BEFORE PLACING STRIPING
- ⑥ THE CONTRACTOR SHALL DELIVER EXISTING SALVAGED GUARDRAIL SYSTEM MATERIALS TO THE CENTRAL SIGN SHOP AND RECYCLE CENTER ON WILKINSON BLVD. IN FRANKFORT KY. (SEE GENERAL NOTES)
- ⑦ INCLUDES REMOVING EXISTING 9" PCC PAVEMENT. REMOVAL OF THE ADDITIONAL MATERIAL UNDER THE PCC PAVEMENT WILL BE PAID BY CU YD. OF ROADWAY EXCAVATION.



FILE NAME: V:\1785\ACTIVE\178562012\TRANSPORTATION\DESIGN\DRAWING\PLAN SHEETS\GEN SUM.DGN

USER: b\vanchock
DATE PLOTTED: July 2, 2013

E-SHEET NAME:

MicroStation v8.11.7.443

PAVEMENT SUMMARY

PAVING AREAS						
ITEM CODE	DEPTH (IN)	ITEM	DENSITY	STA 508+39 - 539+59	STA 539+59 - 574+92	TOTAL PROJECT
			LBS/SY-IN	SQUARE YARDS		
001	6.00	DGA	115	24672	22341	47013
001	9.00	DGA	115		6469	6469
001	17.00	DGA	115		1500	1500
		DGA WEDGE (CU YD)			1980	1980
100		ASPHALT SEAL AGGREGATE (20LB/SY)			4355	4355
103		ASPHALT SEAL COAT (2.4LB/SY)			4355	4355
301	1.50	CL2 ASPH SURF 0.38D PG64-22	110		500	500
2071	11.00	JPC PAVEMENT		24326	21777	46103
2081	8.00	JPC PAVEMENT - 8 IN. SHLD.			6437	6437

PAVING SUMMARY						
ITEM CODE	ITEM	UNIT	STA 508+39 - 539+59	STA 539+59 - 574+92	MOT	TOTAL PROJECT
001	DGA	TON	8512	15155	1466	25133
100	ASPHALT SEAL AGGREGATE (2 APPLICATIONS)	TON		87		87
103	ASPHALT SEAL COAT (2 APPLICATIONS)	TON		10		10
301	CL2 ASPH SURF 0.38D PG64-22	TON			41	41
1830	STANDARD INTEGRAL CURB (1)	LIN. FT.	5617			5617
2071	JPC PAVEMENT - 11 IN.	SQ. YD.	24326	21777		46103
2081	JPC PAVEMENT - 8 IN. SHLD.	SQ. YD.		6437		6437

(1) USE OPTION 1 WITH NO JOINT UNLESS OTHERWISE DIRECTED OR APPROVED BY THE ENGINEER.

FILE NAME: V:\1785\ACTIVE\178562012\TRANSPORTATION\DESIGN\DRAWING\PLAN SHEETS\PAVEMENT SUMMARY.DGN

USER: b\vanchock
DATE PLOTTED: July 1, 2013

E-SHEET NAME:

MicroStation v8.11.7.443

△ REVISED 7-2-13

PAVEMENT SUMMARY

FILE NAME: V:\1785\ACTIVE\178562012\TRANSPORTATION\DESIGN\DRAWING\PLAN SHEETS\PAVEMENT SUMMARY.DGN

USER: bivanchock
DATE PLOTTED: July 1, 2013

E-SHEET NAME:

MicroStation v8.11.7.443

PAVING AREAS						
ITEM CODE	DEPTH (IN)	ITEM	DENSITY	STA 508+39 - 539+59	STA 539+59 - 574+92	TOTAL PROJECT
				LBS/SY-IN	SQUARE YARDS	
001	6.00	DGA	115	24672	22341	47013
001	9.00	DGA	115		6469	6469
001	17.00	DGA	115		1500	1500
		DGA WEDGE (CU YD)			1980	1980
100		ASPHALT SEAL AGGREGATE (20LB/SY)			4355	4355
103		ASPHALT SEAL COAT (2.4LB/SY)			4355	4355
301	1.50	CL2 ASPH SURF 0.38D PG64-22	110		500	500
2071	11.00	JPC PAVEMENT		24326	21777	46103
2081	8.00	JPC PAVEMENT - 8 IN. SHLD.			6437	6437

PAVING SUMMARY						
ITEM CODE	ITEM	UNIT	STA 508+39 - 539+59	STA 539+59 - 574+92	MOT	TOTAL PROJECT
			TON	TON		
001	DGA	TON	8512	15155	1466	25133
100	ASPHALT SEAL AGGREGATE (2 APPLICATIONS)	TON		87		87
103	ASPHALT SEAL COAT (2 APPLICATIONS)	TON		10		10
301	CL2 ASPH SURF 0.38D PG64-22	TON			41	41
1830	STANDARD INTEGRAL CURB (1)	LIN. FT.	5617			5617
2071	JPC PAVEMENT - 11 IN.	SQ. YD.	24326	21777		46103
2081	JPC PAVEMENT - 8 IN. SHLD.	SQ. YD.		6437		6437

(1) USE OPTION 1 WITH NO JOINT UNLESS OTHERWISE DIRECTED OR APPROVED BY THE ENGINEER.

PROPOSAL BID ITEMS

Report Date 7/3/13

Section: 0001 - PAVING

LINE	BID CODE	ALT	DESCRIPTION	QUANTITY	UNIT	UNIT PRICE	FP	AMOUNT
0010	00001		DGA BASE	25,133.00	TON		\$	
0020	00100		ASPHALT SEAL AGGREGATE	87.00	TON		\$	
0030	00103		ASPHALT SEAL COAT	10.00	TON		\$	
0040	00301		CL2 ASPH SURF 0.38D PG64-22	41.00	TON		\$	
0050	01830		STANDARD INTEGRAL CURB	5,617.00	LF		\$	
0060	02071		JPC PAVEMENT-11 IN REVISED: 7-3-13	46,103.00	SQYD		\$	
0070	02081		JPC PAVEMENT-8 IN SHLD	6,437.00	SQYD		\$	

Section: 0002 - ROADWAY

LINE	BID CODE	ALT	DESCRIPTION	QUANTITY	UNIT	UNIT PRICE	FP	AMOUNT
0080	00005		GEOGRID REINFORCEMENT FOR SUBGRADE	500.00	SQYD		\$	
0090	01812		REMOVE CURB AND GUTTER	5,617.00	LF		\$	
0100	01982		DELINEATOR FOR GUARDRAIL MONO DIRECTIONAL WHITE	5.00	EACH		\$	
0110	02014		BARRICADE-TYPE III	62.00	EACH		\$	
0120	02058		REMOVE PCC PAVEMENT	44,311.00	SQYD		\$	
0130	02200		ROADWAY EXCAVATION REVISED: 7-3-13	15,238.00	CUYD		\$	
0140	02237		DITCHING	1,800.00	LF		\$	
0150	02351		GUARDRAIL-STEEL W BEAM-S FACE	325.00	LF		\$	
0160	02360		GUARDRAIL TERMINAL SECTION NO 1	2.00	EACH		\$	
0170	02381		REMOVE GUARDRAIL	325.00	LF		\$	
0180	02562		TEMPORARY SIGNS	559.00	SQFT		\$	
0190	02599		FABRIC-GEOTEXTILE TYPE IV	500.00	SQYD		\$	
0200	02650		MAINTAIN & CONTROL TRAFFIC	1.00	LS		\$	
0210	02671		PORTABLE CHANGEABLE MESSAGE SIGN	4.00	EACH		\$	
0220	02720		SIDEWALK-4 IN CONCRETE	495.00	SQYD		\$	
0230	02775		ARROW PANEL	4.00	EACH		\$	
0240	03287		SIDEWALK RAMP TYPE 1	24.00	EACH		\$	
0250	05985		SEEDING AND PROTECTION	3,762.00	SQYD		\$	
0260	06510		PAVE STRIPING-TEMP PAINT-4 IN	19,011.00	LF		\$	
0270	06514		PAVE STRIPING-PERM PAINT-4 INYELLOW	14,185.00	LF		\$	
0280	06514		PAVE STRIPING-PERM PAINT-4 INWHITE	16,784.00	LF		\$	
0290	06516		PAVE STRIPING-PERM PAINT-8 INWHITE	272.00	LF		\$	
0300	06550		PAVE STRIPING-TEMP REM TAPE-W	7,200.00	LF		\$	
0310	06551		PAVE STRIPING-TEMP REM TAPE-Y	12,504.00	LF		\$	
0320	06565		PAVE MARKING-THERMO X-WALK-6 IN	1,058.00	LF		\$	
0330	06568		PAVE MARKING-THERMO STOP BAR-24IN	344.00	LF		\$	
0340	06574		PAVE MARKING-THERMO CURV ARROW	59.00	EACH		\$	
0350	06576		PAVE MARKING-THERMO ONLY	2.00	EACH		\$	
0360	06589		PAVEMENT MARKER TYPE V-MW	265.00	EACH		\$	
0370	06591		PAVEMENT MARKER TYPE V-BY	269.00	EACH		\$	
0380	10020NS		FUEL ADJUSTMENT	19,061.00	DOLL	\$1.00	\$	\$19,061.00
0390	20099ES842		PAVE MARK TEMP PAINT STOP BAR	96.00	LF		\$	
0400	20100ES842		PAVE MARK TEMP PAINT LINE ARROW	8.00	EACH		\$	
0410	22664EN		WATER BLASTING EXISTING STRIPE	19,223.00	LF		\$	

PROPOSAL BID ITEMS

Report Date 7/3/13

LINE	BID CODE	ALT	DESCRIPTION	QUANTITY	UNIT	UNIT PRICE	FP	AMOUNT
0420	23131ER701		PIPELINE VIDEO INSPECTION	5,034.00	LF		\$	
0430	23143ED		KPDES PERMIT AND TEMP EROSION CONTROL	1.00	LS		\$	
0440	23158ES505		DETECTABLE WARNINGS	192.00	SQFT		\$	
0450	23252ES717		PAVE MARK TY 1 TAPE STOP BAR-12 IN	108.00	LF		\$	
0460	23269ES717		PAVE MARK TY 1 TAPE-COMBO ARROW	4.00	EACH		\$	
0470	23270ES717		PAVE MARK TY 1 TAPE-CURV ARROW	9.00	EACH		\$	

Section: 0003 - DRAINAGE

LINE	BID CODE	ALT	DESCRIPTION	QUANTITY	UNIT	UNIT PRICE	FP	AMOUNT
0480	00521		STORM SEWER PIPE-15 IN	97.00	LF		\$	
0490	00522		STORM SEWER PIPE-18 IN	38.00	LF		\$	
0500	00524		STORM SEWER PIPE-24 IN	30.00	LF		\$	
0510	00526		STORM SEWER PIPE-30 IN	30.00	LF		\$	
0520	00528		STORM SEWER PIPE-36 IN	30.00	LF		\$	
0530	00529		STORM SEWER PIPE-42 IN	8.00	LF		\$	
0540	01456		CURB BOX INLET TYPE A	19.00	EACH		\$	
0550	01767		MANHOLE TYPE C	1.00	EACH		\$	
0560	02220		FLOWABLE FILL	1.00	CUYD		\$	
0570	03262		CLEAN PIPE STRUCTURE	1.00	EACH		\$	
0580	20465EC		CLEAN CULVERT	1.00	LS		\$	

Section: 0004 - TRAFFIC LOOPS

LINE	BID CODE	ALT	DESCRIPTION	QUANTITY	UNIT	UNIT PRICE	FP	AMOUNT
0590	04793		CONDUIT-1 1/4 IN	25.00	LF		\$	
0600	04795		CONDUIT-2 IN	20.00	LF		\$	
0610	04820		TRENCHING AND BACKFILLING	40.00	LF		\$	
0620	04829		PIEZOELECTRIC SENSOR	5.00	EACH		\$	
0630	04830		LOOP WIRE	2,206.00	LF		\$	
0640	04895		LOOP SAW SLOT AND FILL	408.00	LF		\$	
0650	20359NN		GALVANIZED STEEL CABINET	1.00	EACH		\$	
0660	20360ES818		WOOD POST	2.00	EACH		\$	
0670	20391NS835		ELECTRICAL JUNCTION BOX TYPE A	1.00	EACH		\$	

Section: 0005 - MOB AND DEMOB

LINE	BID CODE	ALT	DESCRIPTION	QUANTITY	UNIT	UNIT PRICE	FP	AMOUNT
0680	02568		MOBILIZATION	1.00	LS		\$	
0690	02569		DEMOBILIZATION	1.00	LS		\$	